
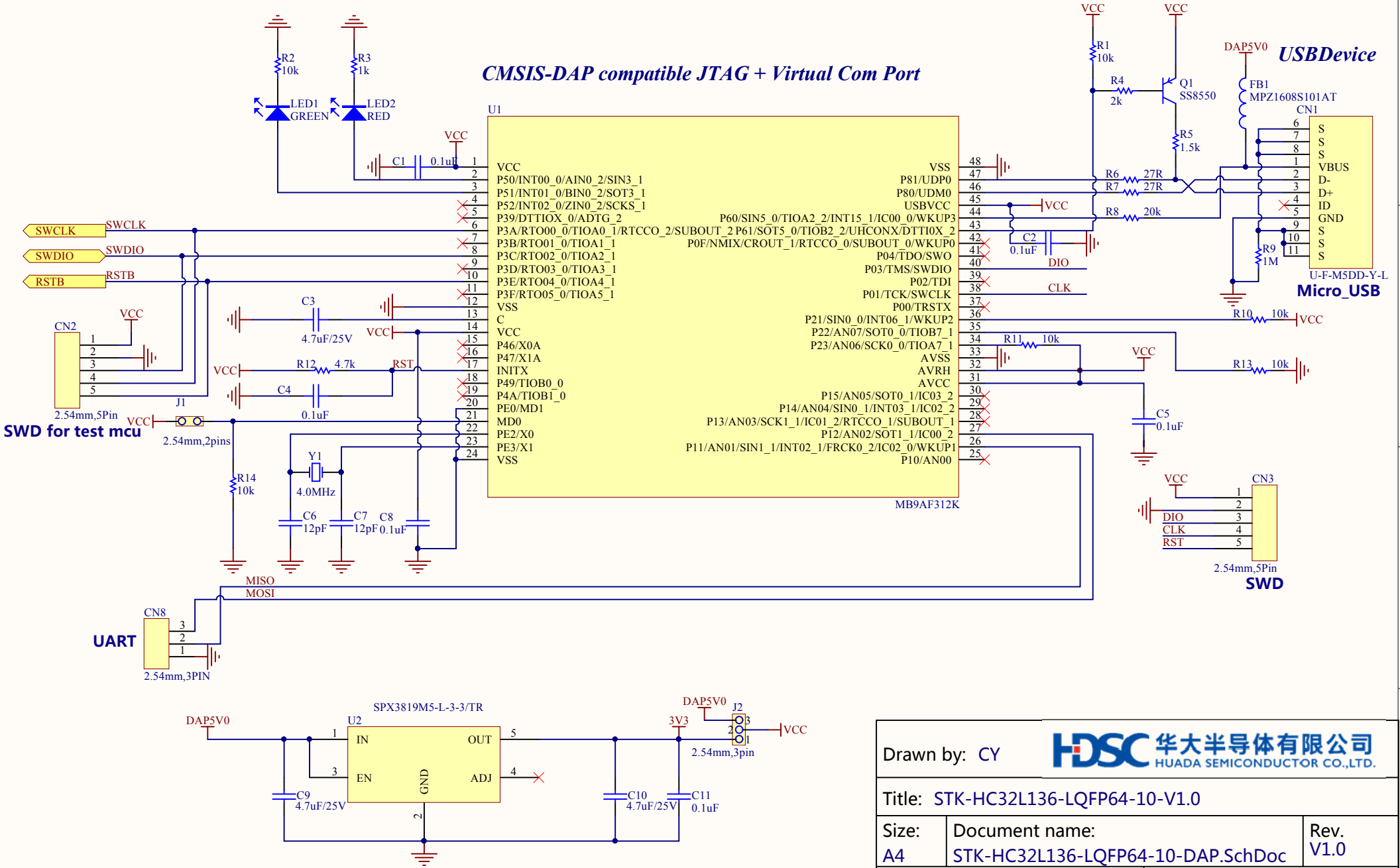



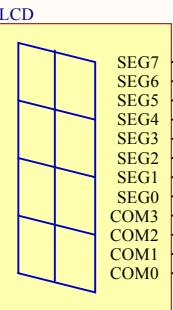
Drawn by: CY		 华大半导体有限公司 HUADA SEMICONDUCTOR CO.,LTD.	
Title: STK-HC32L136-LQFP64-10-V1.0			
Size: A4	Document name: STK-HC32L136-LQFP64-10-TOP.SchDoc		Rev. V1.0
Date: 2018/8/8		Sheet 1 of 3	



Drawn by: CY  华大半导体有限公司 HUADA SEMICONDUCTOR CO.,LTD.		
Title: STK-HC32L136-LQFP64-10-V1.0		
Size: A4	Document name: STK-HC32L136-LQFP64-10-DAP.SchDoc	Rev. V1.0
Date: 2018/8/8		Sheet 2 of 3

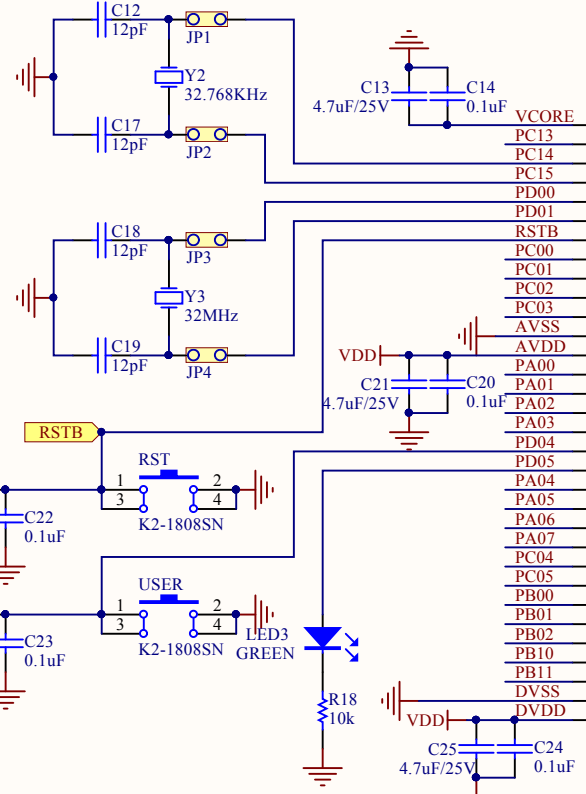
VCORE	1	CN5	2	PC13
PC14	3		4	PC15
PD00	5		6	PD01
RSTB	7		8	PC00
PC01	9		10	PC02
PC03	11		12	GND
VCC	13		14	PA00
PA01	15		16	PA02
PA03	17		18	PD04
PD05	19		20	PA04
PA05	21		22	PA06
PA07	23		24	PC04
PC05	25		26	PB00
PB01	27		28	PB02
PB10	29		30	PB11
GND	31		32	VCC

2.54mm,2*16



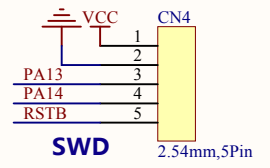
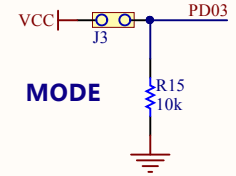
GDC04212

SEG7	12	PB13
SEG6	11	PB14
SEG5	10	PB15
SEG4	9	PC06
SEG3	8	PC07
SEG2	7	PC08
SEG1	6	PC09
SEG0	5	PA08
COM3	4	PA12
COM2	3	PA11
COM1	2	PA10
COM0	1	PA09

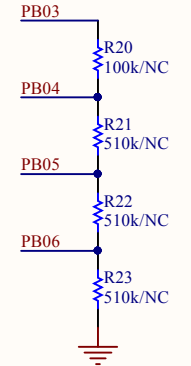


VCORE	1	DVDD	64	DVDD
PC13	2	DVSS	63	DVSS
PC14	3	PB09	62	PB09
PC15	4	PB08	61	PB08
PD00	5	PD03	60	PD03
PD01	6	PB07	59	PB07
RSTB	7	PB06	58	PB06
PC00	8	PB05	57	PB05
PC01	9	PB04	56	PB04
PC02	10	PB03	55	PB03
PC03	11	PD02	54	PD02
AVSS	12	PC12	53	PC12
AVDD	13	PC11	52	PC11
PA00	14	PC10	51	PC10
PA01	15	PA15	50	PA15
PA02	16	PA14	49	PA14
PA03	17	PD07	48	PD07
PD04	18	PD06	47	PD06
PD05	19	PA13	46	PA13
PA04	20	PA12	45	PA12
PA05	21	PA11	44	PA11
PA06	22	PA10	43	PA10
PA07	23	PA09	42	PA09
PC04	24	PA08	41	PA08
PC05	25	PC09	40	PC09
PB00	26	PC08	39	PC08
PB01	27	PC07	38	PC07
PB02	28	PC06	37	PC06
PB10	29	PB15	36	PB15
PB11	30	PB14	35	PB14
DVSS	31	PB13	34	PB13
DVDD	32	PB12	33	PB12

HC32L136-LQFP64



2.54mm,5Pin



VCC	1	CN6	2	GND
PB09	3		4	PB08
PD03	5		6	PB07
PB06	7		8	PB05
PB04	9		10	PB03
PD02	11		12	PC12
PC11	13		14	PC10
PA15	15		16	PA14
PD07	17		18	PD06
PA13	19		20	PA12
PA11	21		22	PA10
PA09	23		24	PA08
PC09	25		26	PC08
PC07	27		28	PC06
PB15	29		30	PB14
PB13	31		32	PB12

2.54mm,2*16

Drawn by: CY

H-DSC 华大半导体有限公司
HUADA SEMICONDUCTOR CO.,LTD.

Title: STK-HC32L136-LQFP64-10-V1.0

Size: A4	Document name: STK-HC32L136-LQFP64-10-MCU.SchDoc	Rev. V1.0
----------	--	-----------

Date: 2018/8/8 Sheet 3 of 3

